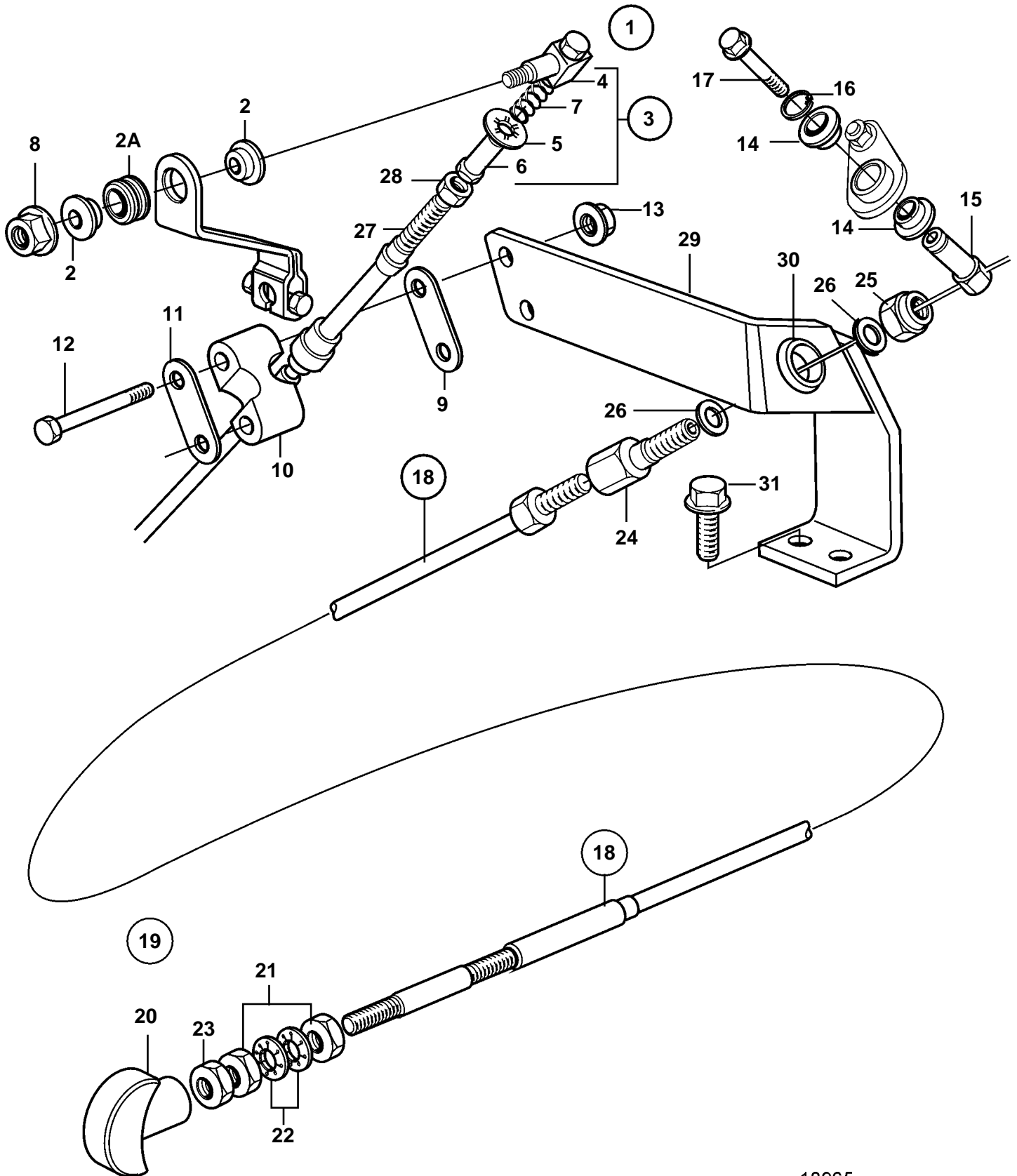


D2-55A, D2-55B, D2-55C



18965

## D2-55A, D2-55B, D2-55C

REF	PART NO.	QTY	DESCRIPTION	SEE SEC.	NOTES
1		1	Connector kit		
2	843105	2	· Spacer washer		
2A	843109	1	· Bushing		
3	840692	1	· Cube		
4	840669	1	· · Cube		
5	968766	1	· · Retainer		
6	814083	1	· · Adjusting nut		
7	814086	1	· · Spring		
8	949874	1	· Lock nut		(946577)
9	872076	1	· Washer		
10	872074	1	· Retainer		
11	819068	1	· Washer		
12	969439	2	· Screw		
13	949874	2	· Lock nut		(946577)
14	843105	2	· Spacer washer		
15	861479	1	· Cable clamp		
16	951669	1	· Retaining ring		
17	969556	1	· Screw		
18	825765	1	Stop cable		L=3,3m
	825764	1	Stop cable		L=6,9m
19	818478	1	· Control		FOR L=3,3m
	818470	1	· Control cable		FOR L=6,9m
20	829241	1	· · Handle		
21	955857	2	· · Nut		
22	955950	2	· · Lock washer		
23	955844	1	· · Nut		
24	829070	1	· Cable lock		
25	945467	1	· Nut		(950353)
26	955894	2	· Washer		
27		1	Control cable	231	
28		1	· Nut	NS	
29	3583791	1	Anchorage		
30	843109	1	Bushing		
31	946173	2	Flange screw		(861849)